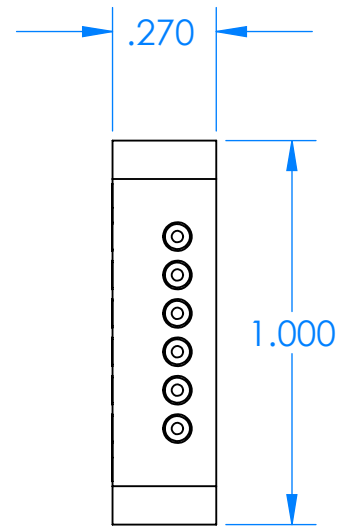
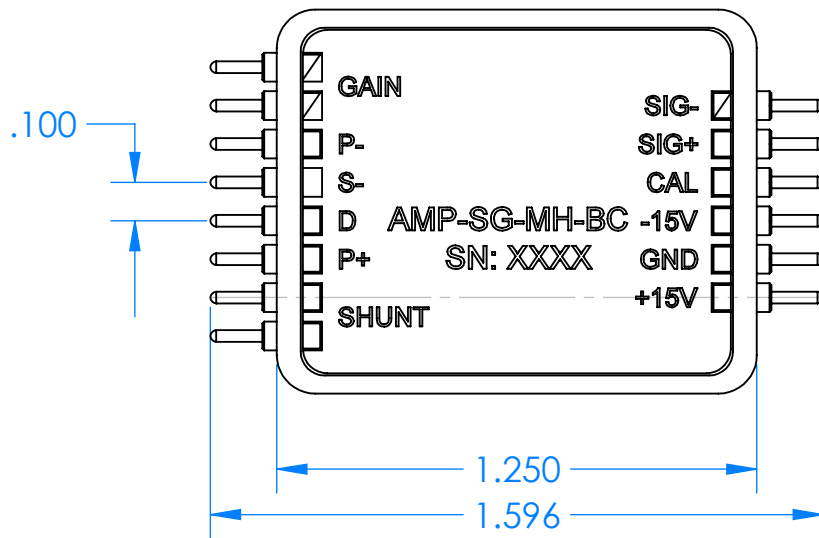



1018502



UNLESS OTHERWISE SPECIFIED:		DATE	NAME	 MICHIGAN SCIENTIFIC CORPORATION 8500 ANCE ROAD CHARLEVOIX, MICHIGAN 49720 www.michsci.com	
DIMENSIONS ARE IN INCHES		DRAWN			
TOLERANCES:		CHECKED			
.XXXX ±.0010		ENG APPR.			
.XXX ±.005		MFG APPR.			
.XX ±.01				PRODUCT LINE:	
FRACTIONAL ±				CUSTOMER CODE:	
ANGULAR: MACH ±				PROJECT CODE:	
BEND ±				DESCRIPTION:	
WEIGHT		PROPRIETARY AND CONFIDENTIAL THE INFORMATION CONTAINED IN THIS DRAWING IS THE SOLE PROPERTY OF MICHIGAN SCIENTIFIC CORPORATION. ANY REPRODUCTION IN PART OR AS A WHOLE WITHOUT THE WRITTEN PERMISSION OF MICHIGAN SCIENTIFIC CORPORATION IS PROHIBITED.		Full BC amplifier assembly w/ overlay and pottin	
MATERIAL				SIZE DWG. NO.	REV
FINISH				A 1018502	
				SCALE: 2:1	SHEET 1 OF 1